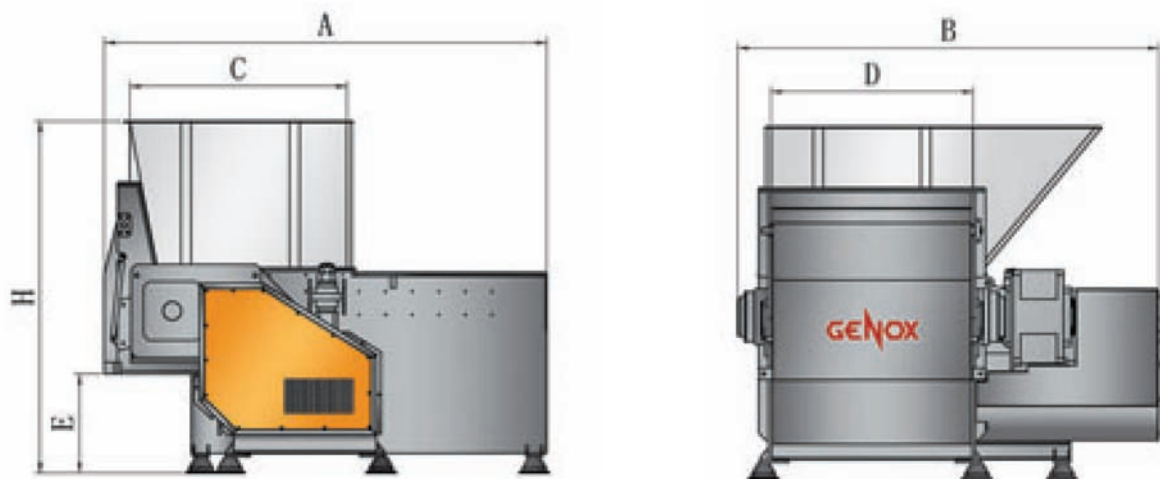


SOUTHEAST MACHINERY COMPANY  
 114 Woodside Drive McMurray, PA 15317  
 Phone: (866) 788-6910 • Fax: (724) 655-4111  
 Email: sales@southeastmachinery.com  
 Website: www.southeastmachinery.com



## TECHNICAL DATA GX540 SINGLE SHAFT SHREDDING SYSTEM

## GXS40 Series SINGLE SHAFT SHREDDING SYSTEM



Model series	GXS4080	GXS40100	GXS40120	GXS40150
A (in)	104.9	104.9	104.9	104.9
B (in)	70.9	78.7	99.6	111.4
C (in)	51.2	51.2	51.2	51.2
D (in)	31.5	39.4	47.2	59.1
E (in)	23.6	23.6	23.6	23.6
H (in)	83.9	83.9	83.9	83.9
Ram (in)	31.5	31.5	31.5	31.5
Rotor Diameter (in)	15.7	15.7	15.7	15.7
Speed (rpm)	80	80	80	80
Screen (in)	1.6	1.6	1.6	1.6
Rotor Knives (PCS)	35	45	55	72
Counter Knives (PCS)	4	4	6	6
Motor Power (hp)	50	60	75	100
Hydraulic Power (hp)	2.9	5.0	7.4	7.4
Weight (lb)	8360	9460	12100	14740

Subject to technical changes without notice



## APPLICATION & DESIGN

The GXS40 series single shaft shredders have rotor length from 31.5-59 in, they are high throughput, low power consumption Shredders which have a wide range of applications.

The ram pushes the material against rotor for shredding action, the desired screen determines the final size of fractions.

The shredders with different type of rotors can handle most waste materials such as:

Plastic purging, Plastic profiles, Film, Bottles, Plastic packaging, Pipes, Hoses, Electronic scraps, Gypsum, Paper, Cables, Wooden pallets (incl nails), Barks and etc.

### Rotor

- 4 times reversible rotor knives
- Exchangeable knife holders
- Adjustable counter knives
- Knives processed by special flame treatment
- Water cooling rotor optional



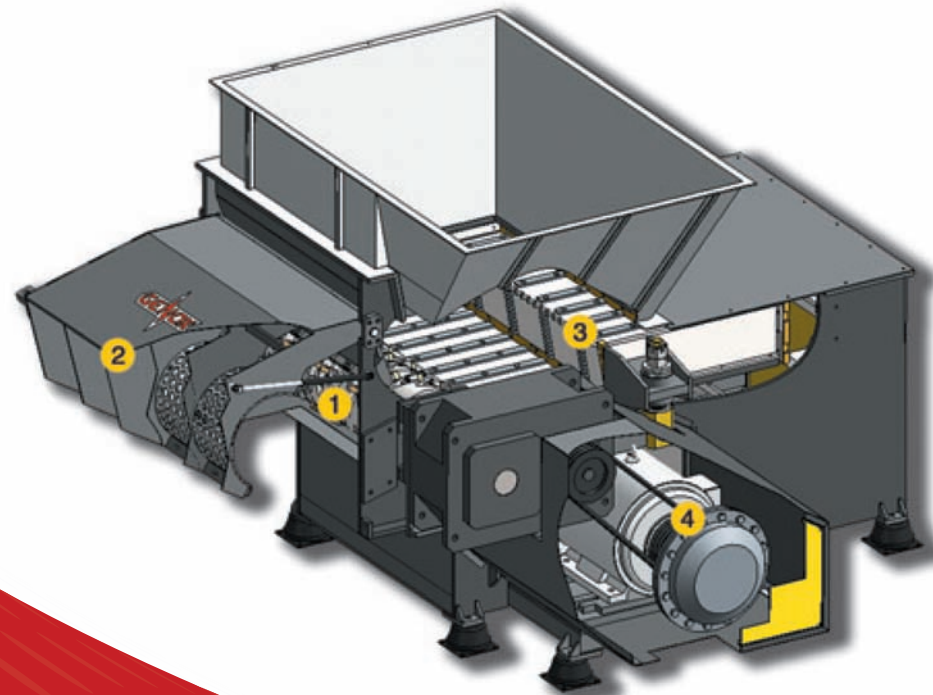
### Screen Basket

- Strong reinforcement supported
- Open by cylinders on both sides
- Easy for maintenance



### Bearing

- Bearing separated from the chamber
- Strong Flange mounted
- Low maintenance



Sectional drawing & function



### Ram

- Anti-skid teeth
- Copper blocks and guide bars make steady movement of the ram pusher
- Automatic cleaning system



### Driving System

- High torque gearbox supported by anti-vibration arm
- High quality belts
- Fluid coupling available for 55 and 75kw motor.



### Hydraulic System

- Completely enclosed in the machine
- Air cooling for continuous operation
- Hydraulic pump speed adjustable



### Control Panel

- Siemens Control
- "Intelligent Program"
- Automatic reverse when motor overload, automatic stop when machine idles