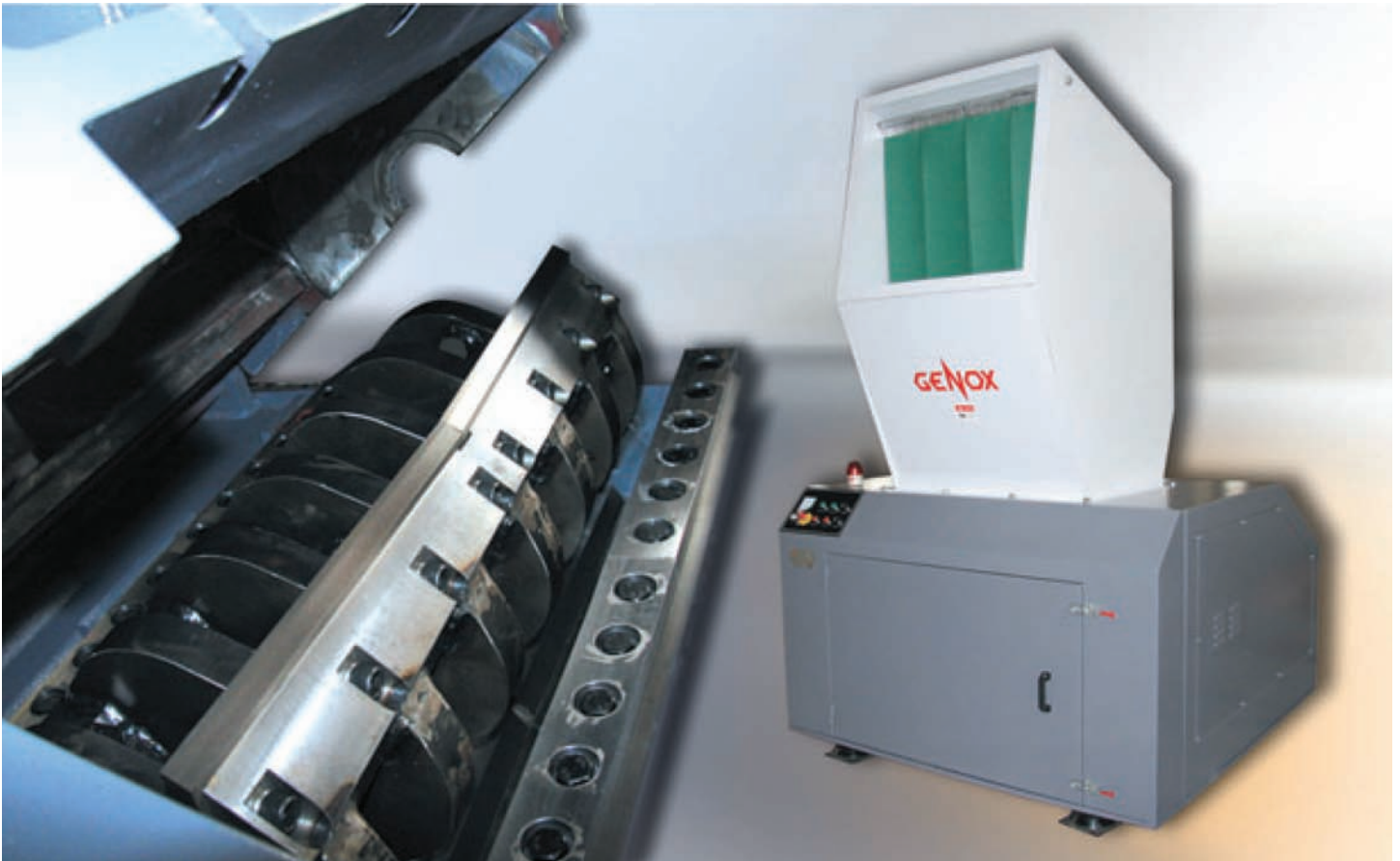


SOUTHEAST MACHINERY COMPANY
114 Woodside Drive McMurray, PA 15317
Phone: (866) 788-6910 • Fax: (724) 655-4111
Email: sales@southeastmachinery.com
Website: www.southeastmachinery.com



GXC Granulator

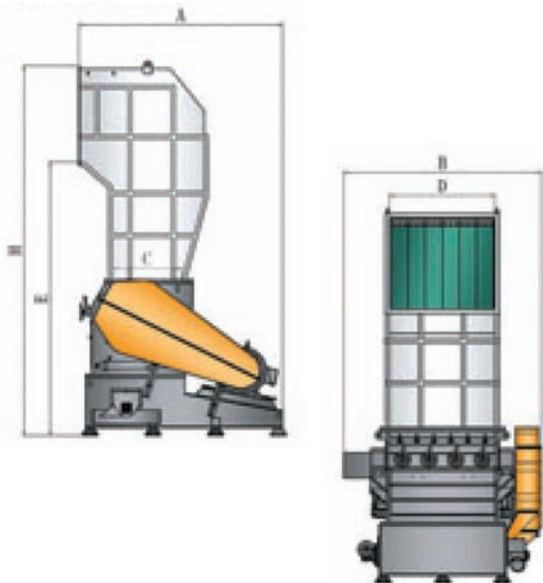
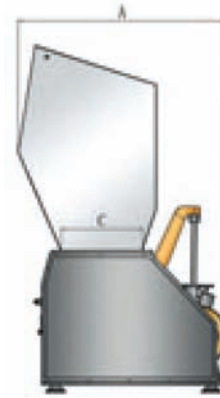
GXC granulators were designed especially for defined size reduction of various materials in a single pass. Rotor and counter knives are made from high quality steel. The material is cleanly sheared off between rotor knives and counter knives while a defined granulate is formed by the desired screen mounted below the rotor. The highly efficient granulating principle works with very small cutting gaps. Depending on the materials, V-cutting rotor, cascade shearing rotor and screw type rotor is optional.



TECHNICAL DATA GXC GRANULATING SYSTEM

Model	Series	GXC2660	GXC3260	GXC3280	GXC4280	GXC42100
A	(in)	44.5	53.9	53.9	62.6	62.6
B	(in)	48.2	57.9	65.7	65.7	73.6
C	(in)	13.0	19.7	19.7	23.6	23.6
D	(in)	23.6	23.6	31.5	31.5	39.4
E	(in)	54.1	62.2	62.2	75.8	75.8
H	(in)	69.5	87.4	87.4	104.7	104.7
Rotor Diameter	(in)	10.2	12.6	12.6	16.5	16.5
Speed	(rpm)	580	580	580	530	530
Screen	(in)	0.5	0.5	0.5	0.5	0.5
Rotor Knives	(PCS)	3x2	3x2	3x2	3x2	3x2
Counter Knives	(PCS)	2x2	2x2	2x2	2x2	2x2
Motor Power	(HP)	20	20	30	50	60
Weight	(LB)	2200	3300	3960	6600	7700

Subject to technical changes without notice



Model	Series	GXC52120	GXC52160	GXC66120	GXC66160
A	(in)	83.5	83.5	94.9	94.9
B	(in)	91.3	107.1	91.3	107.1
C	(in)	28.3	28.3	32.3	32.3
D	(in)	47.2	63.0	47.2	63.0
E	(in)	103.0	103.0	127.2	127.2
H	(in)	141.7	141.7	172.0	172.0
Rotor Diameter	(in)	20.5	20.5	26.0	26.0
Speed	(rpm)	462	462	462	462
Screen	(in)	0.5	0.5	0.5	0.5
Rotor Knives	(PCS)	5x2	5x4	5x2	5x4
Counter Knives	(PCS)	2x2	2x4	2x3	2x4
Motor Power	(HP)	100	150	120	175
Weight	(LB)	12100	14960	17160	22000

Subject to technical changes without notice